

Measurement required:

- Back length -36.cm.
- Front length-39cm.
- Shoulder width-36cm.
- Across back width-33 cm.
- Upper breast-88cm.
- Mid bust-92cm.
- Lower breast-81 cm.
- Waist-76cm.
- Sleeve length-28 cm.
- Sleeve girth-27cm.

Suitable materials:

Cotton, poplin, 2x2 cotton, polyester, silk, synthetic, and chiffon with lining .

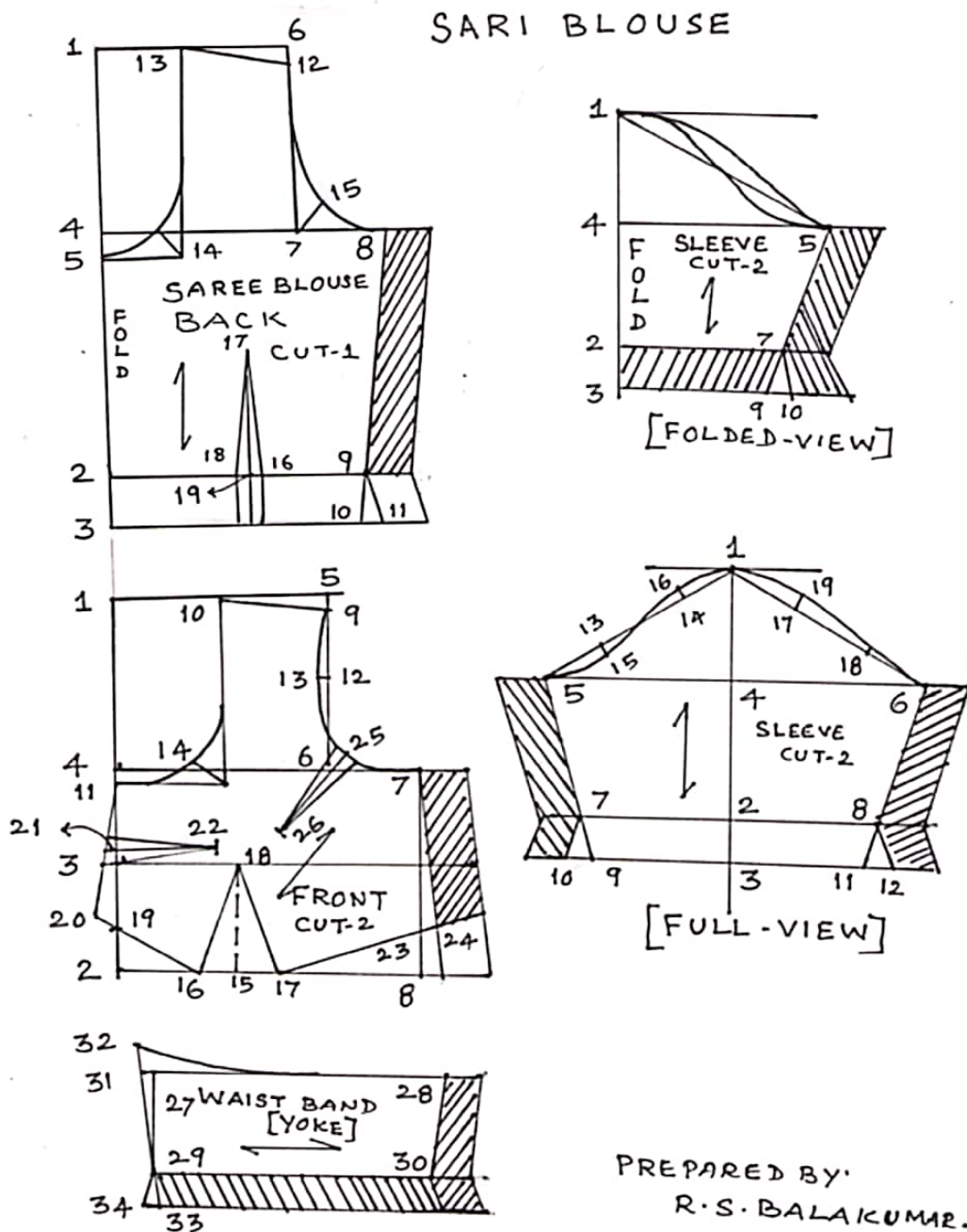
Material required:

2 lengths + 1 sleeve length+10cm or approximate estimation-
1metre.(cloth width-92cm)

Pattern parts:

- Back cut-1,
- front cut-2,
- waist yoke cut-4,
- sleeve cut-2,
- neck bias piece as required, front placket cut-3.(front hook fastening).

Drafting Details Saree Blouse:



Drafting saree and blouse

Back part:

- 1-2 = Back length + 1.2 cm.
- 3-2 = Bottom fold 3.5cm.
- 4-1 = Armhole depth, Bust 16.
- 5-4 = Neck Drop 2.5cm.
- 6-1 = $\frac{1}{2}$ shoulder (-) 2.5 cm.
- 7-6 = as per draft.
- 8-4 = $\frac{1}{4}$ th Bust + 1.2 cm.

Two darts are to be constructed.

- 10-11 = 1.2 cm
- 12-6 = 1.2 cm as per draft.
- 13-6 = 9cm.
- 14-13 = draw as per draft.
- 15-7 = 4cm, as per draft. 16 is middle of 2 to 9 measure.
- 17-16 = 12 cm dart length.
- 18 to 19 = 2.5cm dart intake. Keep side seam margin 2.5cm extra.

Front part:

- 1-2 = $\frac{1}{3}$ rd Bust + 2.5 cm
- 1-3 = $\frac{1}{4}$ th Bust + 2.5 cm.
- 1-4 = $\frac{1}{6}$ th Bust.
- 1-5 = $\frac{1}{2}$ shoulder (or) $\frac{1}{6}$ th Bust girth.
- 6-5 = as per draft.
- 7-4 = $\frac{1}{4}$ th Bust + 1.2 cm.
- 8-7 = as per draft.
- 9-5 = 1.2 cm.
- 10-5 = 9 cm.
- 11-4 = 2.5 cm 12 is middle of 5 to 6.
- 12-13 = 1.2 cm.
- 14-10 = 11 as per draft.
- 15-2 = Dart distance is $\frac{1}{12}$ th Bust + 1.2 cm.
- 16-15 = 2.5 cm, dart intake.
- 17-15 = 2.5 c m. as per draft.
- 18-15 = 7.5 cm dart length.
- 19-2 = 4 cm.
- 20-19 = 1.2 cm. 21 is midpoint of 19 to 11.



- $27 - 28 = 1/4\text{th waist} + 1.2 \text{ cm.}$
- $29-27 = 8 \text{ cm}$
- $29-30 = 1/4\text{th waist.}$
- $31 - 27 = 1.2 \text{ cm.}$
- $31 - 32 = 2.5 \text{ cm.}$
- $29-33 = 2.5 \text{ cm.}$
- $34 - 33 \cong 1.2 \text{ cm side seam margin } 4\text{cm as per draft.}$

Sleeve:

- $1-2 = \text{Sleeve length} + 1.2 \text{ cm.}$
- $2-3, \text{Bottom Fold } 4 \text{ cm.}$
- $1-4 = \text{Bicep depth is } 1/12\text{th Bust} + 2.5 \text{ cm.}$
- $5-4 = 1/6\text{th Bust} + 1.2 \text{ cm}$
- $6-4 = 1/6\text{th Bust} + 1.2 \text{ cm.}$
- $7-2 = 1/2 \text{ sleeve girth}$
- $8-2 = 1.2 \text{ cm } 13 \text{ is } 1/3\text{rd of } 1 \text{ to } 5 \text{ measure. } 14 \text{ is } 1/3\text{rd of } 1 \text{ to } 5 \text{ measures.}$
- $13 - 15 \cong 1.2\text{cm as per draft.}$
- $16-14 \cong 1.2 \text{ cm, as per draft. } 17 \text{ is } 1/3\text{rd of } 6 \text{ to } 1 \text{ distance. } 18 \text{ is } 1/3\text{rd of } 6 \text{ to } 1 \text{ distance.}$
- $19 - 17 = 1.2 \text{ cm as per draft.}$

Material required:



Material required:

1.00 metre. Cloth width is 36inch.

Suitable Material:

Cotton, poplin polyester, silk, synthetic, chiffon, voile, organdey.

Conclusion:

Garment pattern making is based on a simple mathematical calculation as per drafting method.as well as the technical knowledge with skill ness is required. Draping method involves in preparing the pattern also need to have more practical knowledge. Beginners must prepare the paper pattern and then transferred in to muslin cloth. After stitching, the garment must undergo the process of dress form fitting or the live model fitting is good to get the result.