

garment (Figure-1).

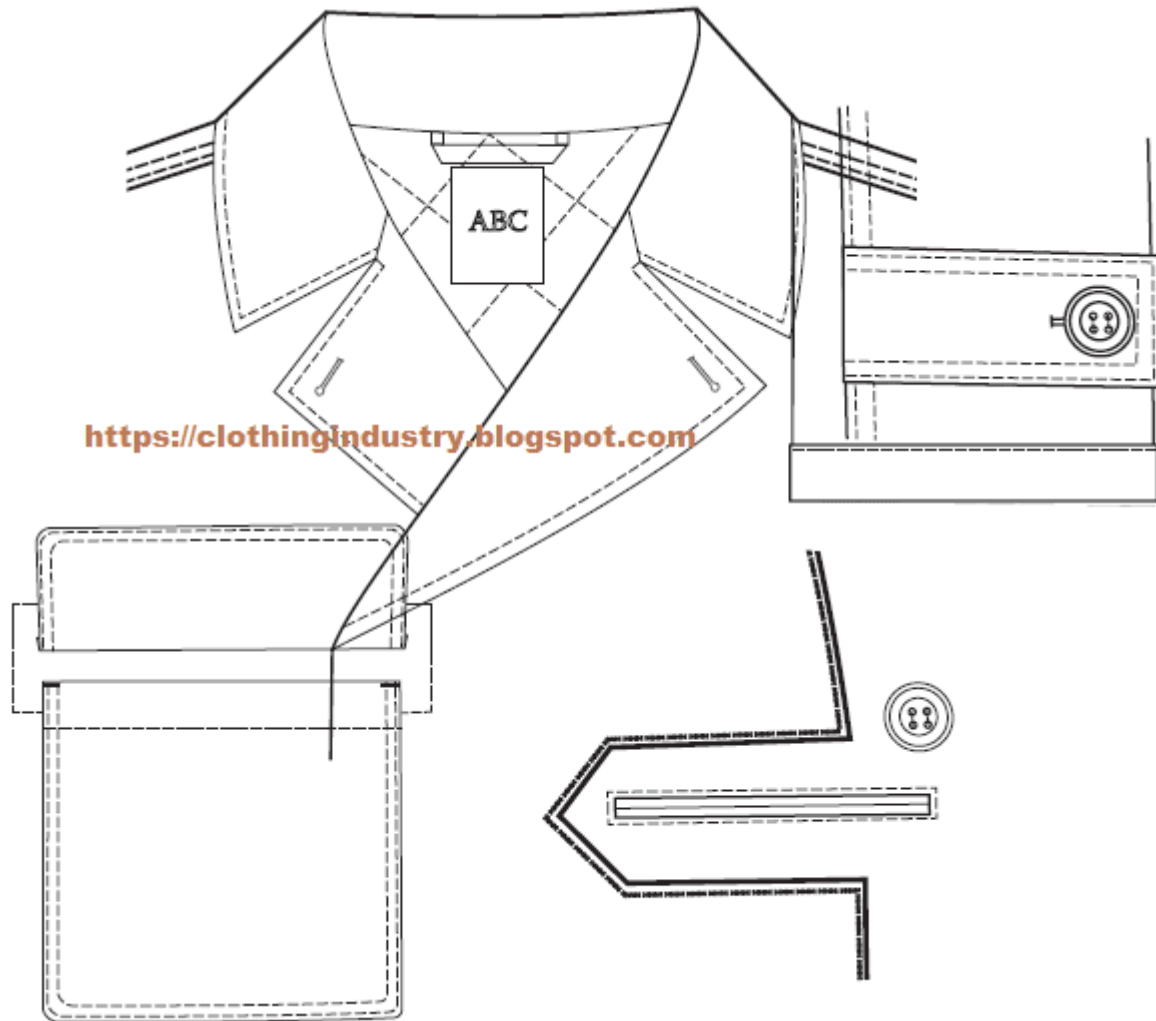


Figure-1: Reefer coat

**But here I have given all figures and process step by step in one place.**

1. The first page of the specification, as shown in Figure-2, is the minimum textile performance required.

TEST	REQUIREMENT	PAGE 1
Tensile strength BS EN ISO 13934-2: 2014-grab method	150N	
Seam slippage BS EN ISO 13936-1: 2004 Seam strength BS EN ISO 13935-2: 1999	6 mm SO 80N SS120N	
Martindale Abrasion BS EN ISO 12947-2: 1999	S/C at 5000 revs grade 3/4	
Martindale pilling BS EN ISO 12945-2: 2000	2000 revs grade 3/4	

#### DIMENSIONAL STABILITY

Stability to washing BS EN ISO 6330: 2012	+/- 3%
Stability to dry cleaning commercial	+/- 3%

#### COLOR FASTNESS

Color fastness to washing BS EN ISO C06 2010	Change: 4 Stain: 4 Cross stain: 4/5
Color fastness to dry cleaning BS EN ISO 105-D01: 2010	Change: 4 Stain: 4 Cross stain: 4/5
Color fastness to water BS EN ISO-E01: 2013	Change: 4 Stain: 4 Cross stain: 4/5
Color fastness to rubbing BS EN ISO 105-X12	Dry: 4 Wet 3/4
Color fastness to light BS EN ISO 105-B02: 2014	Std 4 Req 4

Figure-2: Shower-resistant garments, anoraks, and quilted coats: minimum textile performance required.

**2. The second page, as shown in Figure-3, is the overall look of the product.**



Figure-3: Over all look of the product

3. The third page, as shown in Figure-4, shows the garment interlinings.

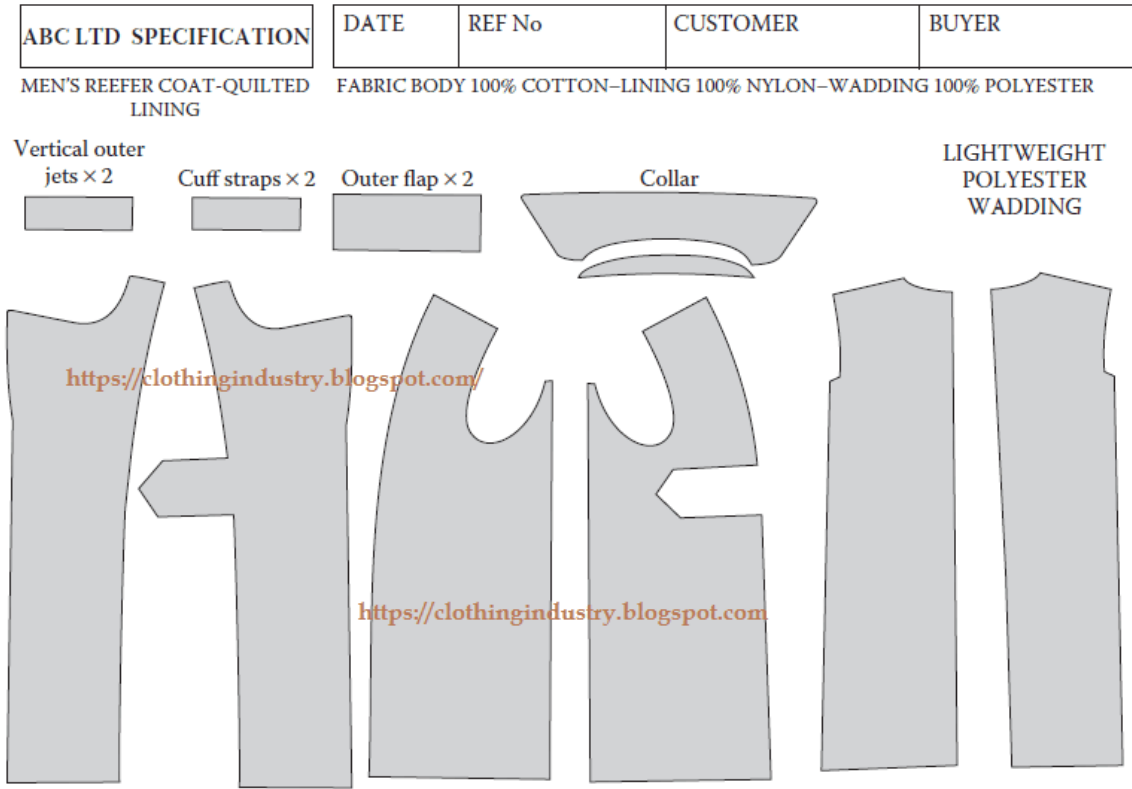


Figure-4: Garment interlining

**4. The fourth page, as shown in Figure-5, shows the front with pocket detail.**

ABC LTD SPECIFICATION	DATE	REF No	CUSTOMER	BUYER
-----------------------	------	--------	----------	-------

MEN'S REEFER COAT-QUILTED LINING

FABRIC BODY 100% COTTON-LINING 100% NYLON-WADDING 100% POLYESTER

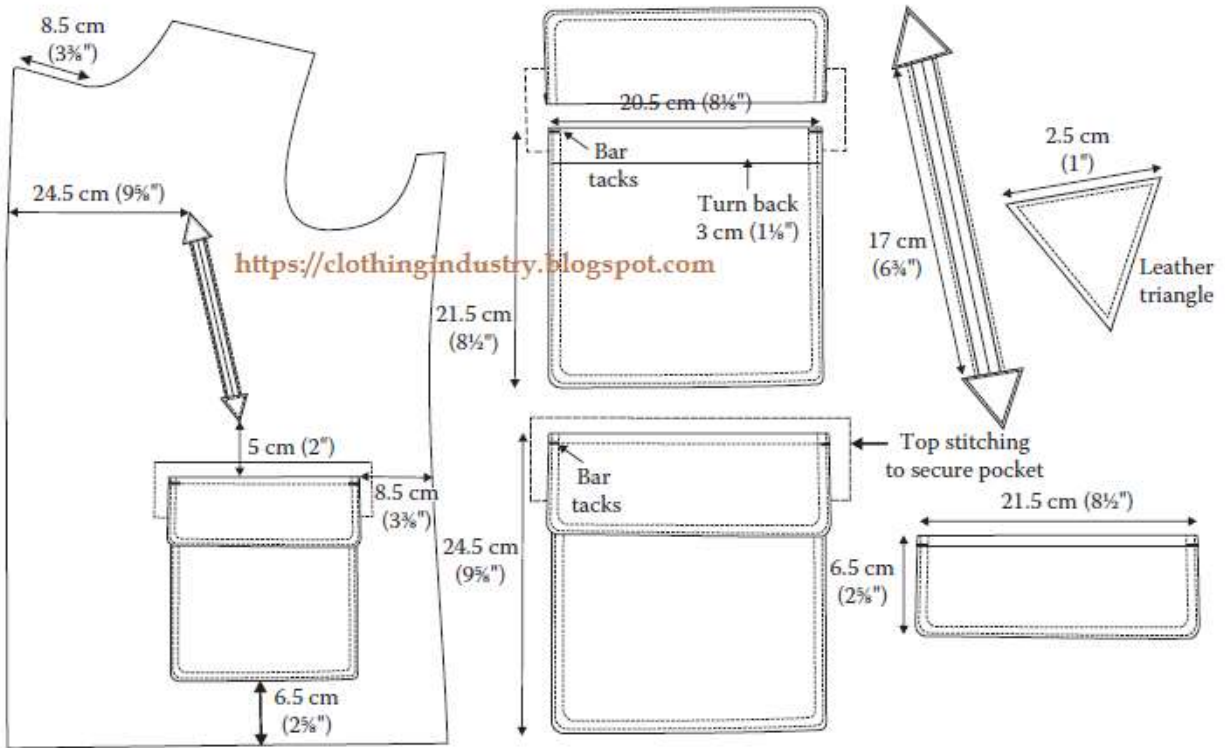


Figure-5: Front with pocket details

**5. The fifth page, as shown in Figure-6, shows the back and cuff detail.**

PAGE 5



Figure-6: Back and cuff details

**6. The sixth page, as shown in Figure-7, shows the collar construction.**

ABC LTD SPECIFICATION	DATE	REF No	CUSTOMER	BUYER
MEN'S REEFER COAT-QUILTED LINING	FABRIC BODY 100% COTTON-LINING 100% NYLON-WADDING 100% POLYESTER			

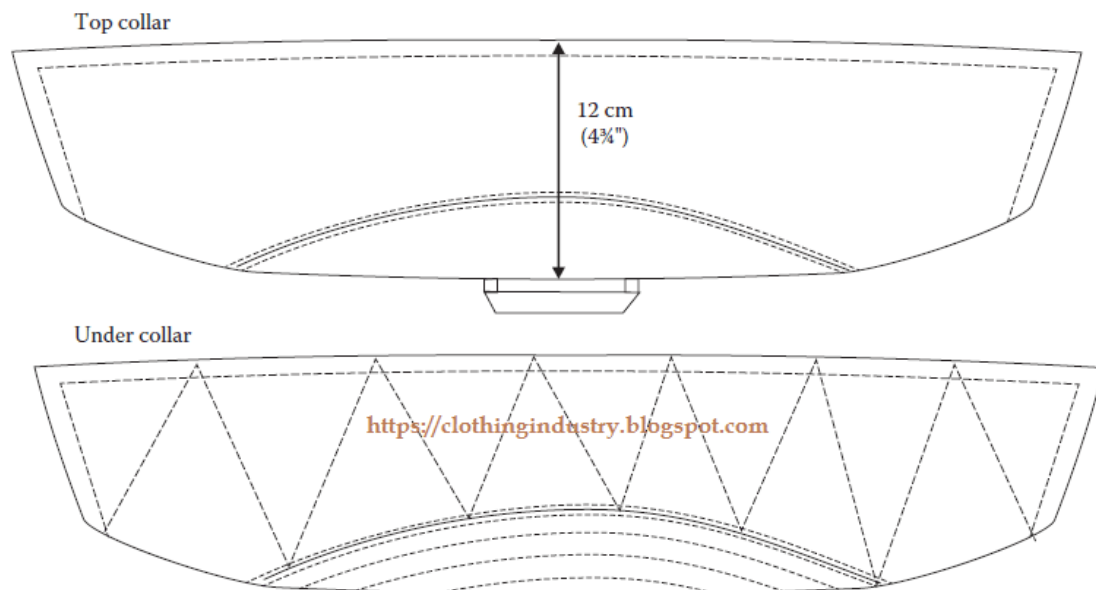


Figure-7: Collar construction